
Katalog

Kugla ventili – dvodelna prirubnička kugla slavina



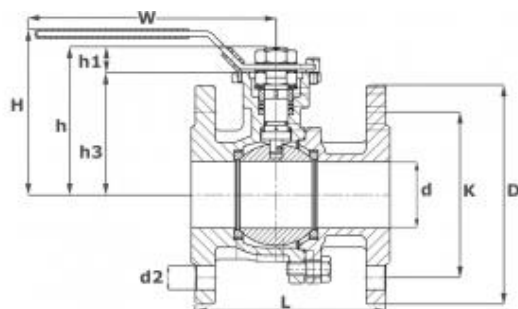
Kugla ventili - dvodelna prirubnička kugla slavina

Standard: DIN 3202 EN 558-1

Nazivni pritisak: PN 16

Kvalitet: 1.4408

Certifikat: 10204 3.1



Dimenzija (mm)	Zoll	Typ	L	H	h	h3	h1	W	D	d
15	1/2"	F4	115	84,5	64,0	55,0	9	83,5	95	15
20	3/4"	F4	120	92,5	77,5	66,5	11	83,5	105	20
25	1"	F4	125	102,1	77,5	66,5	11	104,5	115	25
32	1 1/4"	F4	130	106,1	85,0	74,0	11	104,5	140	32
40	1 1/2"	F4	140	121,4	100,5	85,5	15	130,0	150	38
50	2"	F4	150	128,4	107,5	92,5	15	130,0	165	50
65	2 1/2"	F4	170	155,6	131,0	113,0	18	344,0	185	63
80	3"	F4	180	167,0	142,5	124,5	18	344,0	200	76
100	4"	F4	190	186,0	165,5	142,5	23	392,0	220	96
125	5"	F5	325	232,0	208,0	180,0	28	756,0	250	125
150	6"	F5	350	253,0	229,0	201,0	28	756,0	285	150
200	8"	F5	400	320,5	295,0	259,0	36	840,0	340	200

Kugla ventili - dvodelna prirubnička kugla slavina

Dimenzija (mm)	Zoll	Typ	L	H	h	h3	h1	W	D	d
250	10"	F5	450	355,0	331,0	295,0	36	1040,0	405	250

A black and white photograph of industrial machinery, likely a grinding or polishing process, with bright sparks flying from a contact point. The image is partially obscured by a large blue rectangle on the right side of the page.

Terboinox doo

Jovana Đurana 2

25000 Sombor

+381 25 42 11 80 · +381 25 42 11 81

info@terboinox.com

www.terboinox.com